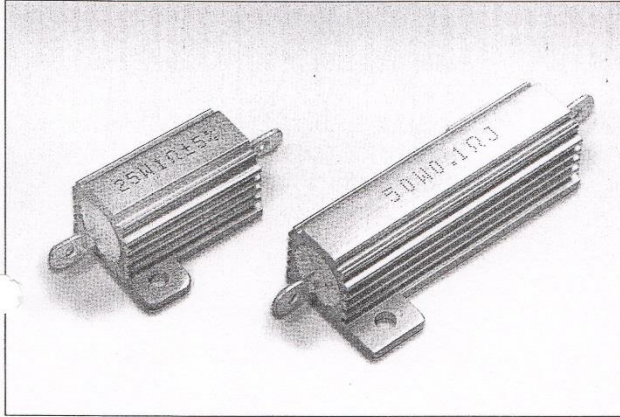


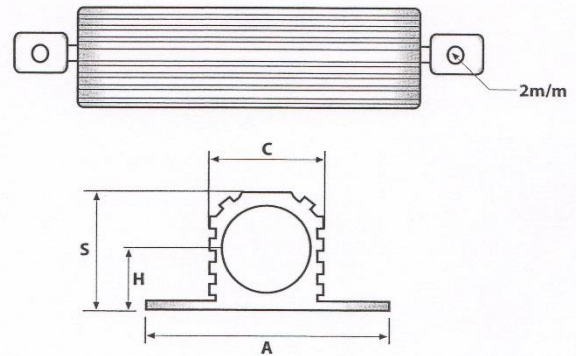
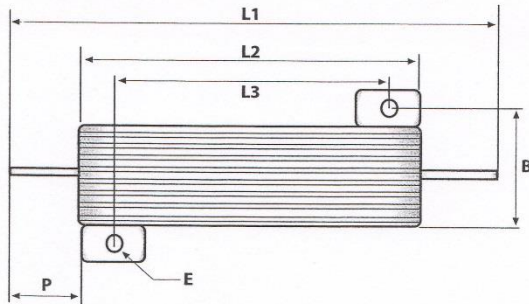


## Gold Aluminium Housed Wirewound Resistors



### FEATURES:

- High power aluminium housed resistors use centerless ground ceramic cores for uniform heat distribution.
- Molded in a special high temperature material and mounted in an extruded aluminium finned housing, these designs provide maximum power dissipation and reliability.
- Lead free and RoHS compliant part.



## GOLD ALUMINIUM HOUSED WIREWOUND RESISTORS

TYPE	DIMENSIONS (MM)										RESISTANCE RANGE
	L1(±2)	L2(±1)	L3(±1)	A(±1)	B(±1)	C(±1)	E(±0.3)	S(±1)	H(±0.5)	P(±2)	
GSH-5W	25	15	10	16.5	12.5	8.5	2	8	4	5	0.1Ω~ 50K
GSH-10W	32	19	14	20	15.5	10.5	2	10	5	6	0.1Ω~ 50K
GSH-25W	47	27	18	27	19	15	3.2	15.5	7	10	0.1Ω~ 100K
GSH-50W	70	50	39	29	21	15	3.2	15.5	7	10	0.1Ω~ 100K
GSH-80W	96	66	35	47	37	27	5	28	13	4x15	0.1Ω~ 100K
GSH-100WS	96	66	35	47	37	27	5	28	13	4x15	0.1Ω~ 100K
GSH-100W	140	89	68	70	64	46	5	44.5	19	5x25	0.1Ω~ 3K
GSH-250W	160	113	93	84	71	53	5	55.5	25	5x23	0.1Ω~ 3K